



Description

Each Comet is handblown from laminated glass, with grains of silica sand added between the layers to render a unique celestial effect that gently diffuses the light throughout the surrounding space. Comet pendants are equipped with modern technologies, such as an efficient LED source and diffuser for both direct and indirect lighting, and fluid touch dimming that puts the desired ambience at the user's fingertips.



Tech. description

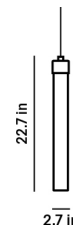
The light comprises a dural fixture with integrated LED module, a diffuser, and a glass shade. The light is suspended on a cable from a metal ceiling canopy.

Available colour options: <https://mbapi.cz/red/pis/us/en/us1375>

CONSTRUCTION SPECIFICATION

Weight:	6.17 lb
Construction material:	glass, metal
Cord length:	86.6 in
Mounting:	Ceiling
Environment:	Dry

DIMENSIONS [in]



ELECTRICAL SPECIFICATION

Input voltage [V]:	100 - 240 V
Frequency [Hz]:	50-60 Hz
Max. power [W]:	5.5 W
Coverage IP:	20
Socket:	-
Light source:	LED module

CERTIFICATIONS





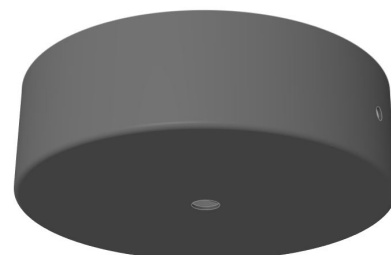
**CM17826 LED modul 2,5W 24VDC
without optic 2700K PCB5050 2.524
927**

Type	LED module
Lamp wattage [W]	2,5 W
Input voltage [V]	24 VDC
Energy class	E
Flux [lm]	250 lm
Light colour [K]	2700 K
CRI	90+
Dimmable	yes

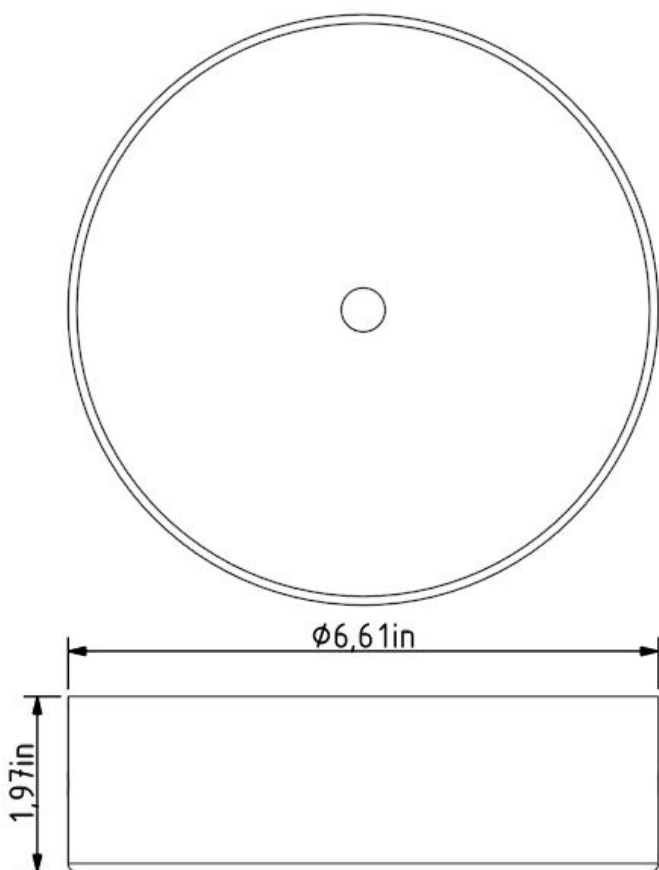


INNER FIXTURE

Dimensions O x w [in] 6.61 x 1.97 "
Weight [lb] 2.2 lb
Material metal



Drawing



Hole placement

